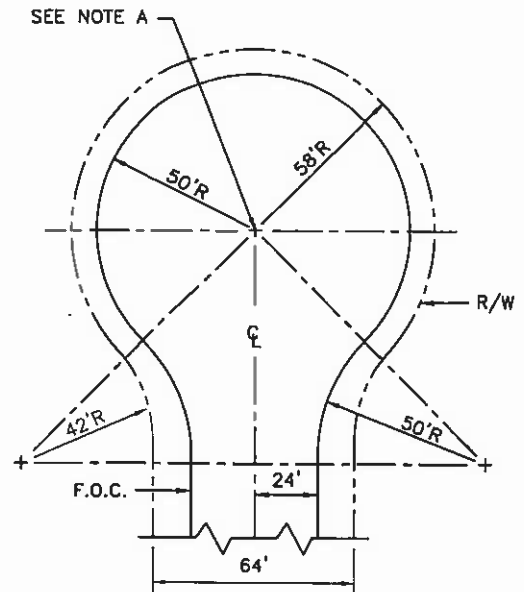
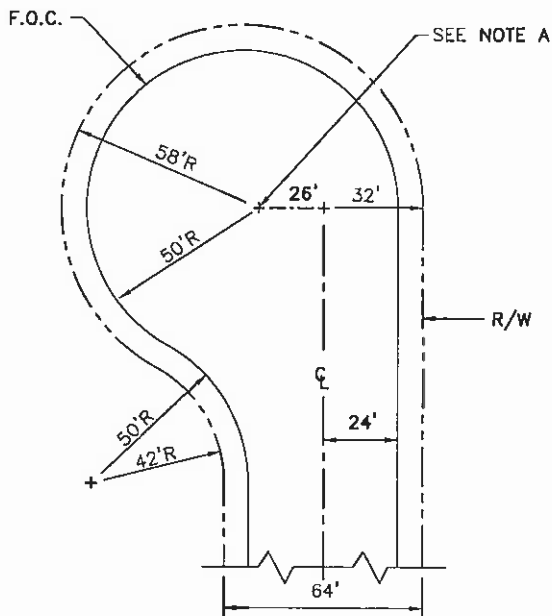


STANDARD EXPANDED CORNER



STANDARD CUL-DE-SAC



**STANDARD CUL-DE-SAC
(OFFSET)**

NOTES:

- A. CROWN TO BE 1.20 FEET ABOVE FLOW LINE OF GUTTER AT ITS HIGHEST POINT.
- B. ON EXPANDED CORNERS, CENTERLINE CROWN SHALL BE EQUALIZED BETWEEN LIPS OF GUTTER IN THE KNUCKLE.

THE CITY OF WEST SACRAMENTO – STANDARD DETAIL

APPROVED BY:  CITY ENGINEER
 C-38733 P.E. NO. 3/31/05 DATE

REVISION:

REVISION:

REVISION:

REVISION:

TITLE: COMM/INDUST LOCAL
 CUL-DE-SACS &
 EXPANDED CORNER
 NORTH AREA

STANDARD
 DETAIL #: 223

