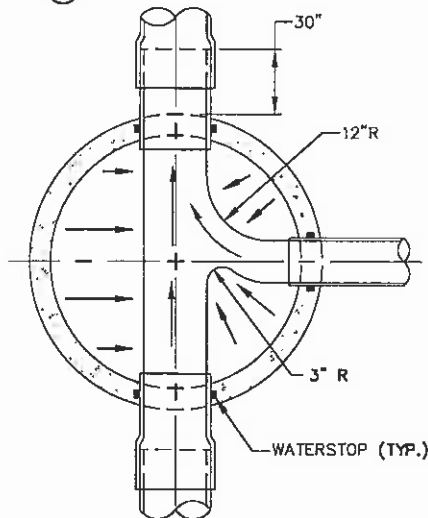


- ① FRAME AND COVER, D & L SUPPLY 1024 MARKED "STORM DRAIN" WITH PICK HOLE.
- ② SLOPE CONCRETE THREE (3) INCHES TO GRADE.
- ③ STANDARD TWENTY FOUR (24) INCH DIAMETER MANHOLE GRADE RINGS, THREE (3) INCH MINIMUM, EIGHTEEN (18) INCH MAXIMUM NECK HEIGHT FROM CONE TO FINISH GRADE. ADD CHIMNEY SEAL RIGHT BELOW THE COVER.
- ④ STANDARD FORTY EIGHT (48) INCH ECCENTRIC MANHOLE REDUCER CONE. COPOLYMER POLYPROPYLENE STEPS REQUIRED FOR MANHOLES DEEPER THAN THREE (3) FEET.
- ⑤ STANDARD FORTY EIGHT (48) INCH DIAMETER MANHOLE BARREL SECTION, CONFORMING TO ASTM C478 - LATEST REVISION, WITH FOUR (4) INCH MINIMUM WALL THICKNESS. COPOLYMER POLYPROPYLENE STEPS REQUIRED FOR MANHOLES MORE THAN THREE (3) FEET DEEP.
- ⑥ CLASS "A", CAST-IN-PLACE OR PRECAST CONCRETE BASE.
- ⑦ SIX (6) INCHES MINIMUM, 3/4 INCH CRUSHED ROCK PER ASTM D448 #67.
- ⑧ UNDISTURBED SOIL.
- ⑨ MANHOLES DEEPER THAN SEVEN (7) FEET (INVERT TO FINISHED GRADE) SHALL HAVE #4 REBAR TWELVE (12) INCHES ON CENTER, EACH WAY, IN CAST IN PLACE MANHOLE BASE.
- ⑩ FOUR (4) INCHES PER FOOT MINIMUM SLOPE.
- ⑪ BOLLARD AND CONCRETE FOUNDATION SHALL CONFORM TO CITY STANDARD DETAIL #517. 4"x4" REDWOOD POST MAY SUBSTITUTE FOR BOLLARD IN TEMPORARY INSTALLATIONS.

NOTES:

- A. COUNTRY OF ORIGIN SHALL BE CLEARLY AND PERMANENTLY SHOWN ON TOP SURFACE OF THE FRAME AND COVER IN ACCORDANCE WITH THE TRADE AND TARIFF ACT OF 1984.
- B. DATE OF MANUFACTURE SHALL BE CLEARLY AND PERMANENTLY INDICATED ON THE COVER AND THE TOP OF THE FRAME.
- C. SEATING SURFACE SHALL BE CLOSELY MACHINED TO NOMINAL DIMENSIONS WITH TOLERANCES NOT TO EXCEED $\pm 1/64$ INCH.
- D. THE WEIGHT OF THE FRAME SHALL BE 140lbs., ± 10 lbs.
- E. THE WEIGHT OF THE COVER SHALL BE 130lbs., ± 5 lbs.
- F. THE STORM DRAIN MANHOLE SHALL NOT BE USED ON STORM DRAIN CONDUIT GREATER THAN 36 INCHES IN DIAMETER.



TYPICAL CHANNELIZATION

THE CITY OF WEST SACRAMENTO - STANDARD DETAIL

APPROVED BY:  CITY ENGINEER
 C-38733 P.E. NO. 3/31/05 DATE

REVISION:	
REVISION:	
REVISION:	
REVISION:	

TITLE: STORM DRAIN
 MANHOLE OUTSIDE
 PAVED AREA

STANDARD
 DETAIL #: 307

